

SARGENT® INSTALLATION INSTRUCTIONS FOR T-Zone® LEVER LOCK with 50 FUNCTION (11G50) CYLINDER

SARGENT®
ASSA ABLOY

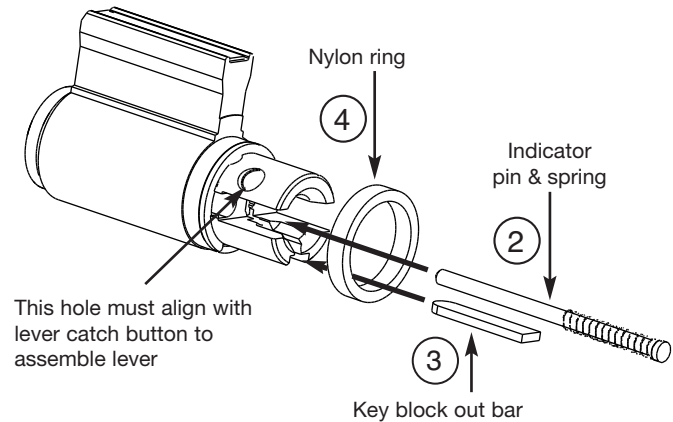
FOR INSTALLATION ASSISTANCE, CONTACT SARGENT AT 800-727-5477

1 Lock Body Assembly

1. Prep door and install lock body and roses according to T-Zone Installation Instructions A7469, steps 1 through 7.
2. Assemble cylinder and levers according to following steps.

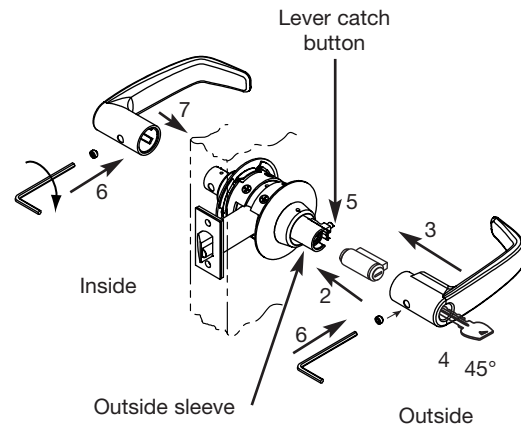
2 Cylinder Assembly

1. Insert parts into cylinder body as shown in illustration.
2. Slide spring onto indicator pin. Then insert pin into rear of cylinder body.
3. Insert key block-out bar, round end first, into cylinder.
4. Slide nylon ring onto back of cylinder.
5. **TO PREVENT PARTS FROM SLIDING OUT OF CYLINDER BODY, KEEP BODY HORIZONTAL OR END POINTED UP.**



3 Lever Installation

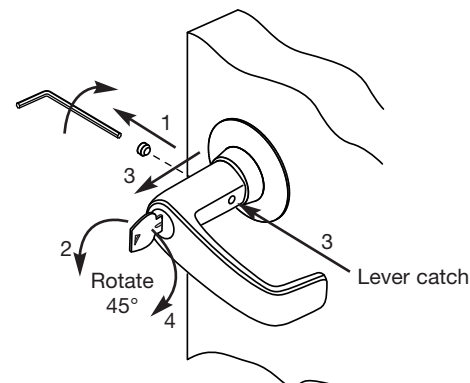
1. Place cylinder with assembled parts into outside lever.
2. Put key into cylinder. Making sure the key block out bar is still within the cylinder, but in the projected position.
3. Gently assemble the cylinder and lever onto the outside sleeve. Align the spring in the center and two metal projections at 12 & 6 o'clock with back of cylinder.
4. Push cylinder onto outside sleeve and rotate the key **counterclockwise** 45° and hold.
5. Push lever onto lock until lever catch button engages hole in lever. Secure with 6 lobe security set screw.



IMPORTANT – Check operation of levers and latch bolt before closing door

Cylinder Removal

1. Remove security screw.
2. Insert key and rotate key 45° **counterclockwise**.
3. Depress lever catch button and pull lever out approximately 1/4" to clear lever catch.
4. Rotate key 45° **clockwise** to horizontal and remove key, gently removing lever from sleeve.
5. Remove cylinder from lever being careful not to drop indicator pin or key block-out bar.
6. Install new cylinder.



Copyright © 2008, Sargent Manufacturing Company, an ASSA ABLOY Group company. All rights reserved. Reproduction in whole or in part without the express written permission of Sargent Manufacturing Company is prohibited.