

# LL LEVER HANDLE TRIM

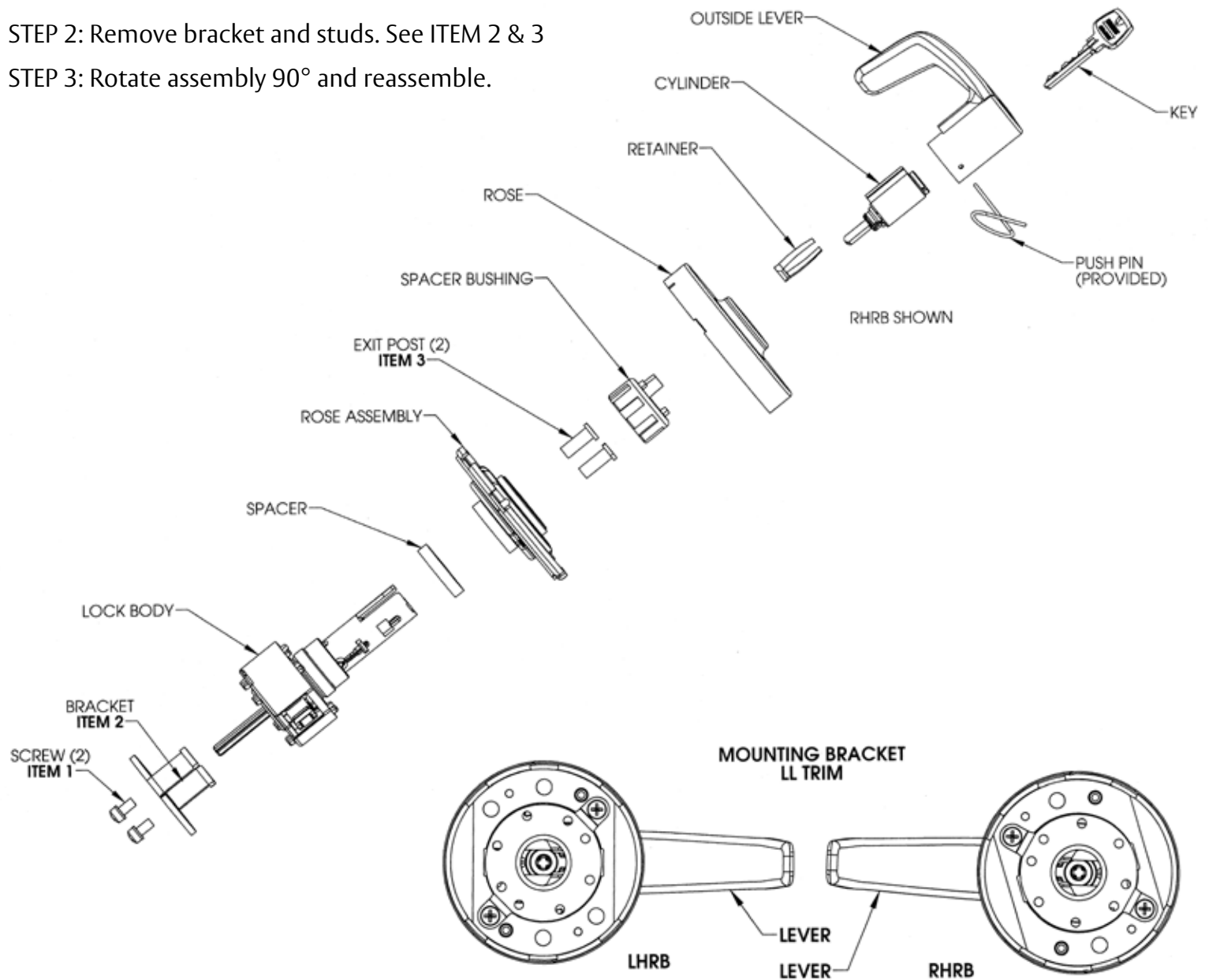
For installation assistance call SARGENT at  
1-800-727-5477 • [www.sargentlock.com](http://www.sargentlock.com)

## To Change Hand:

STEP 1: Remove screws. See ITEM 1

STEP 2: Remove bracket and studs. See ITEM 2 & 3

STEP 3: Rotate assembly 90° and reassemble.



**SARGENT**  
**ASSA ABLOY**

A7190D

ASSA ABLOY, the global leader  
in door opening solutions

Copyright © 2013, Sargent Manufacturing Company, an ASSA ABLOY Group company. All rights reserved.  
Reproduction in whole or in part without the express written permission of Sargent Manufacturing Company is prohibited.