

Product Bulletin

4900 Series Deadlatch 31/32" Backset

www.adamsrite.com

SW09001

10-30-09

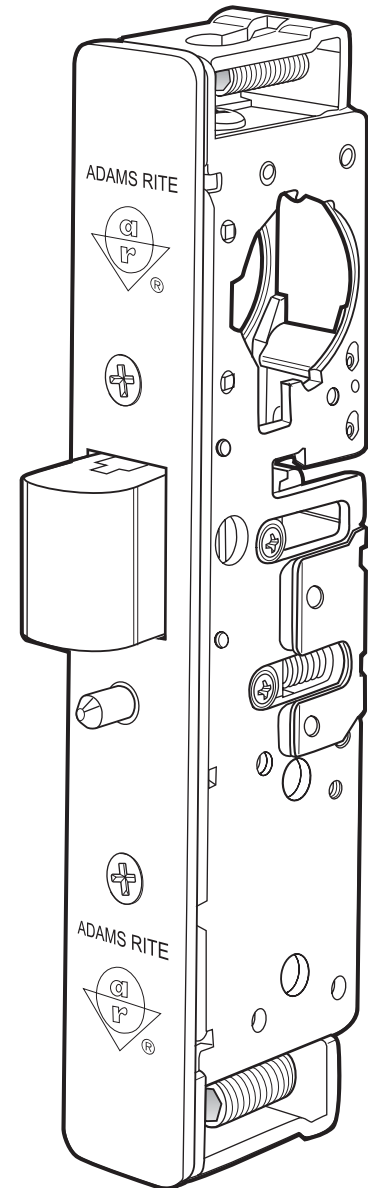
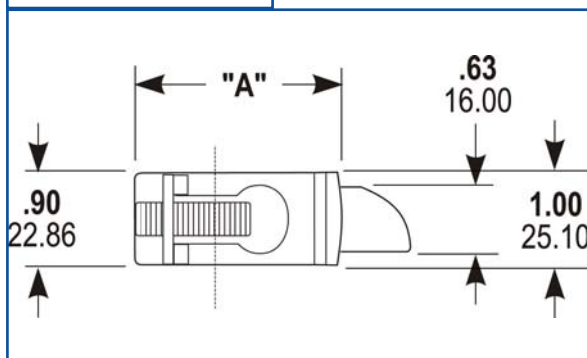
In order to round out the product line for the 4900 series deadlatch, we have added a 31/32" backset to the product offering.

This addition allows the 4900 (Grade 1) deadlatch to be ordered in all the popular backset sizes.

The 4900 will also be included with our 8400 series exit devices when a 31/32" backset is ordered.

Product available to ship November, 2009.

Backset	"A"
31/32"	1.63
24.6	41.4



4900 Features

- * Fully reversible 5/8" solid brass latchbolt
- * Comes complete with flat & radiused faceplates
- * Adjustable bevel
- * One piece cast holdback feature
- * Tube spacers with through-the-front hex adjustment
- * Stainless steel auxiliary latchpin prevents loiding or case knife entry



ASSA ABLOY

260 Santa Fe Street, Pomona, California 91767
800-872-3267 * fax 800-232-7329

Consult the Adams Rite catalog or website at www.adamsrite.com for details on ordering.

ASSA ABLOY, the global leader
in door opening solutions