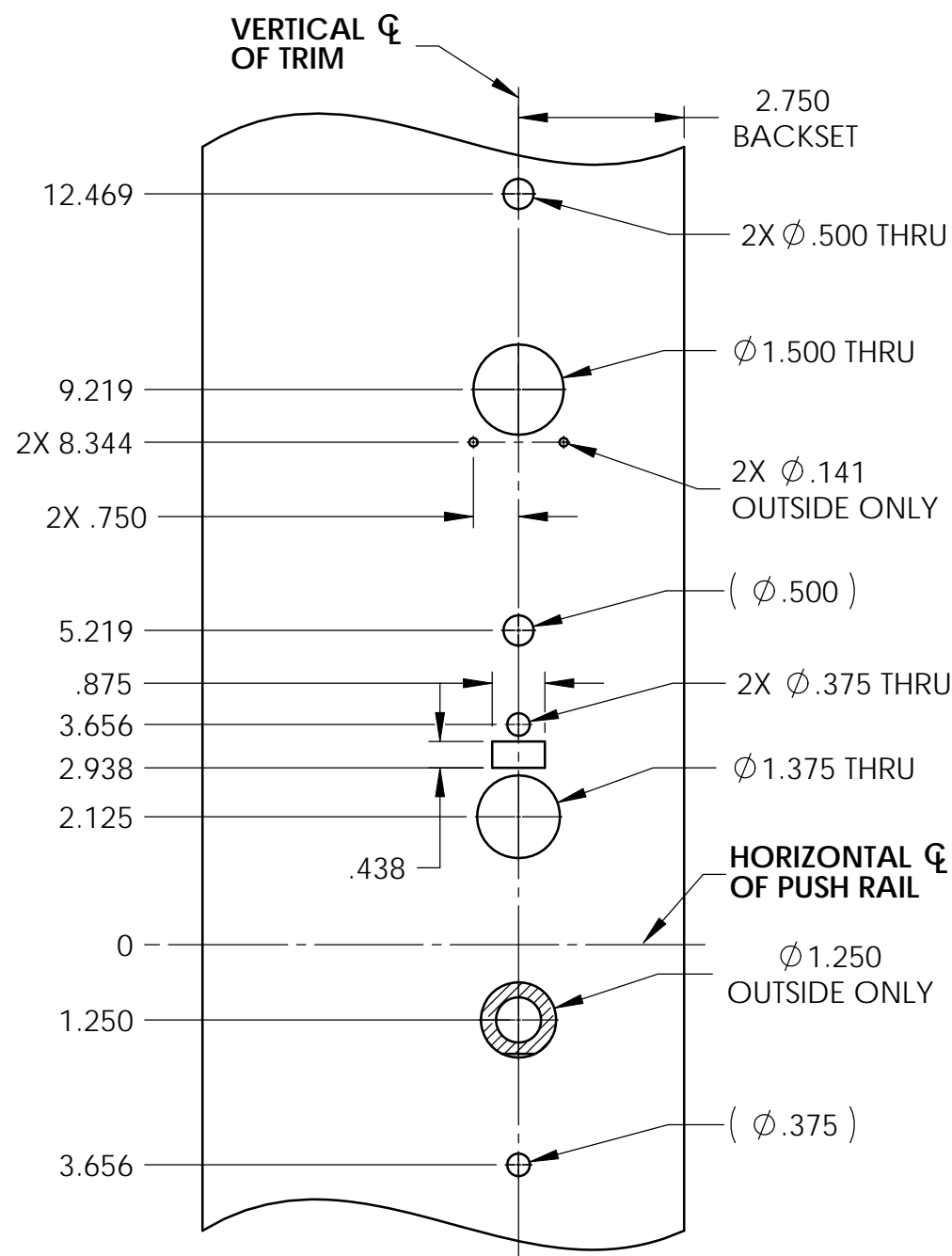
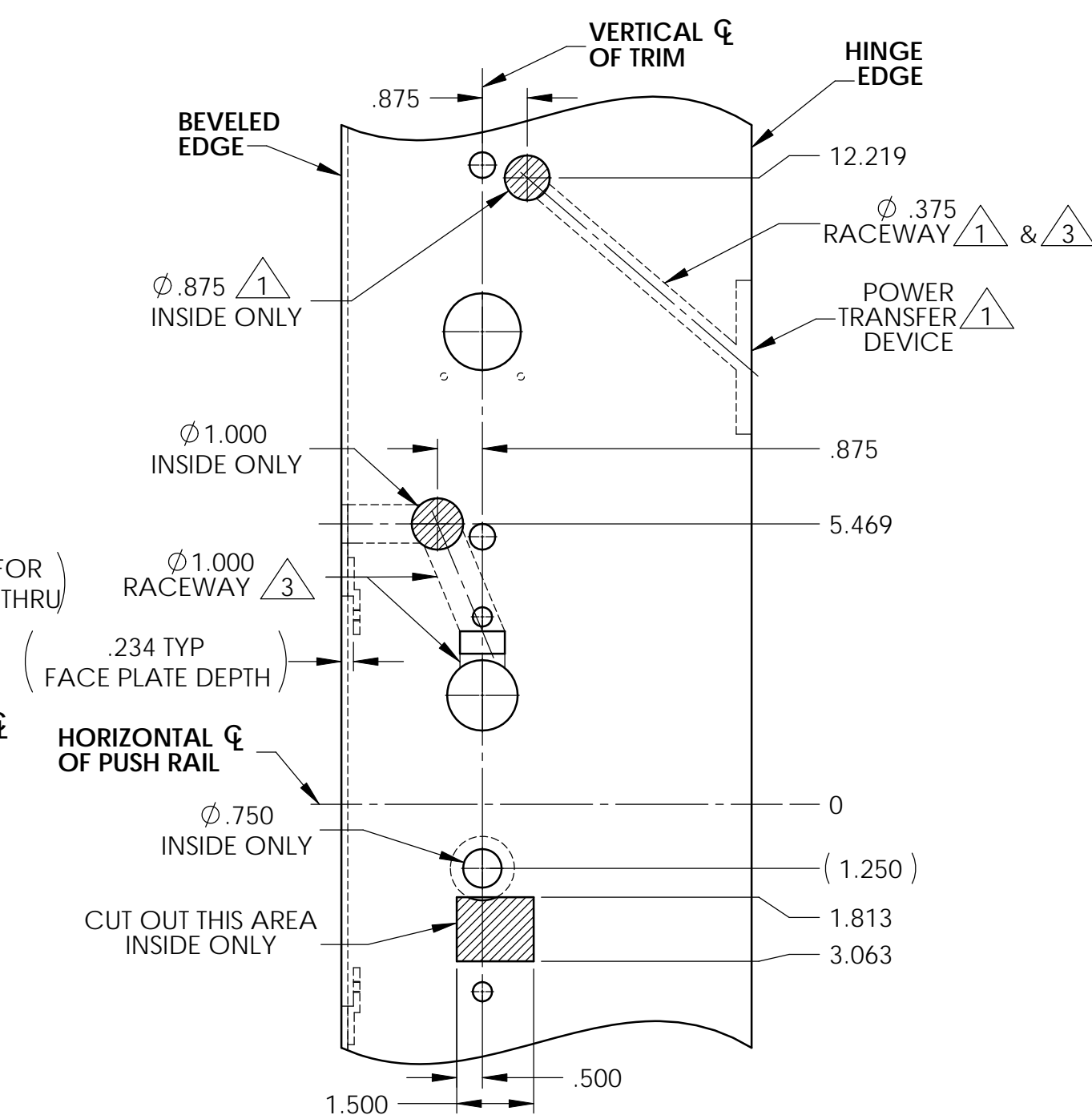
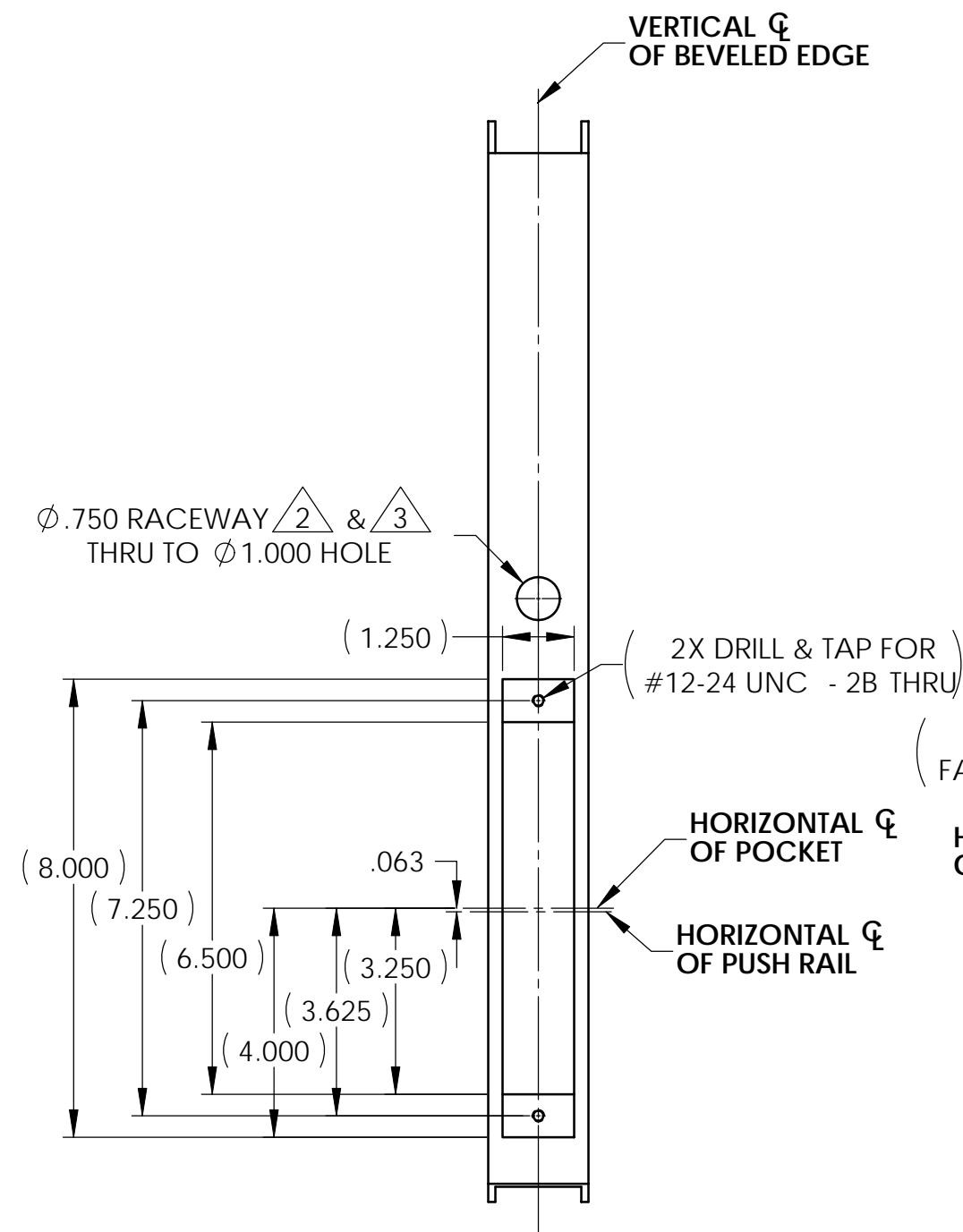


METAL DOOR

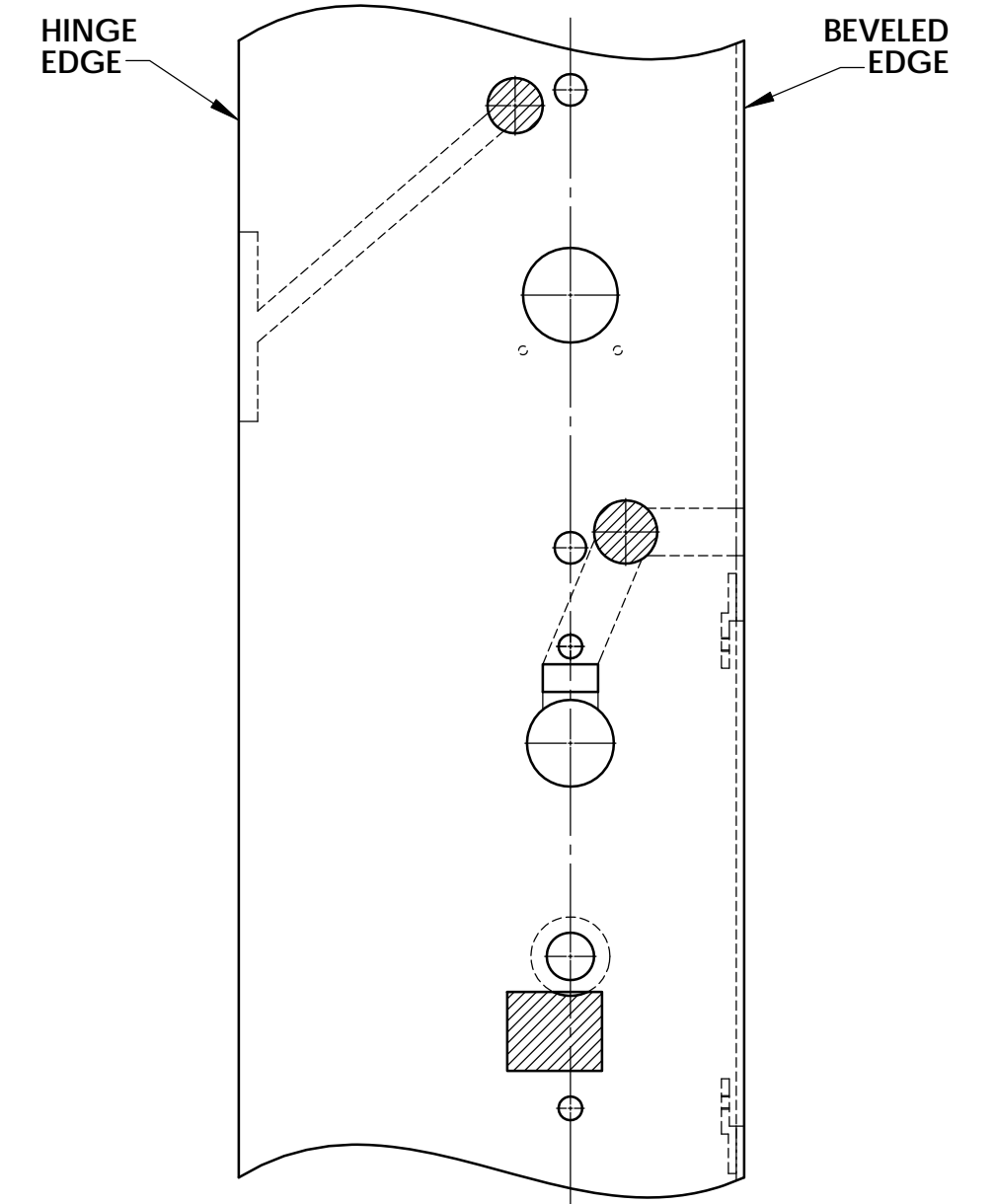
LHRB DOOR SHOWN



OUTSIDE OF DOOR



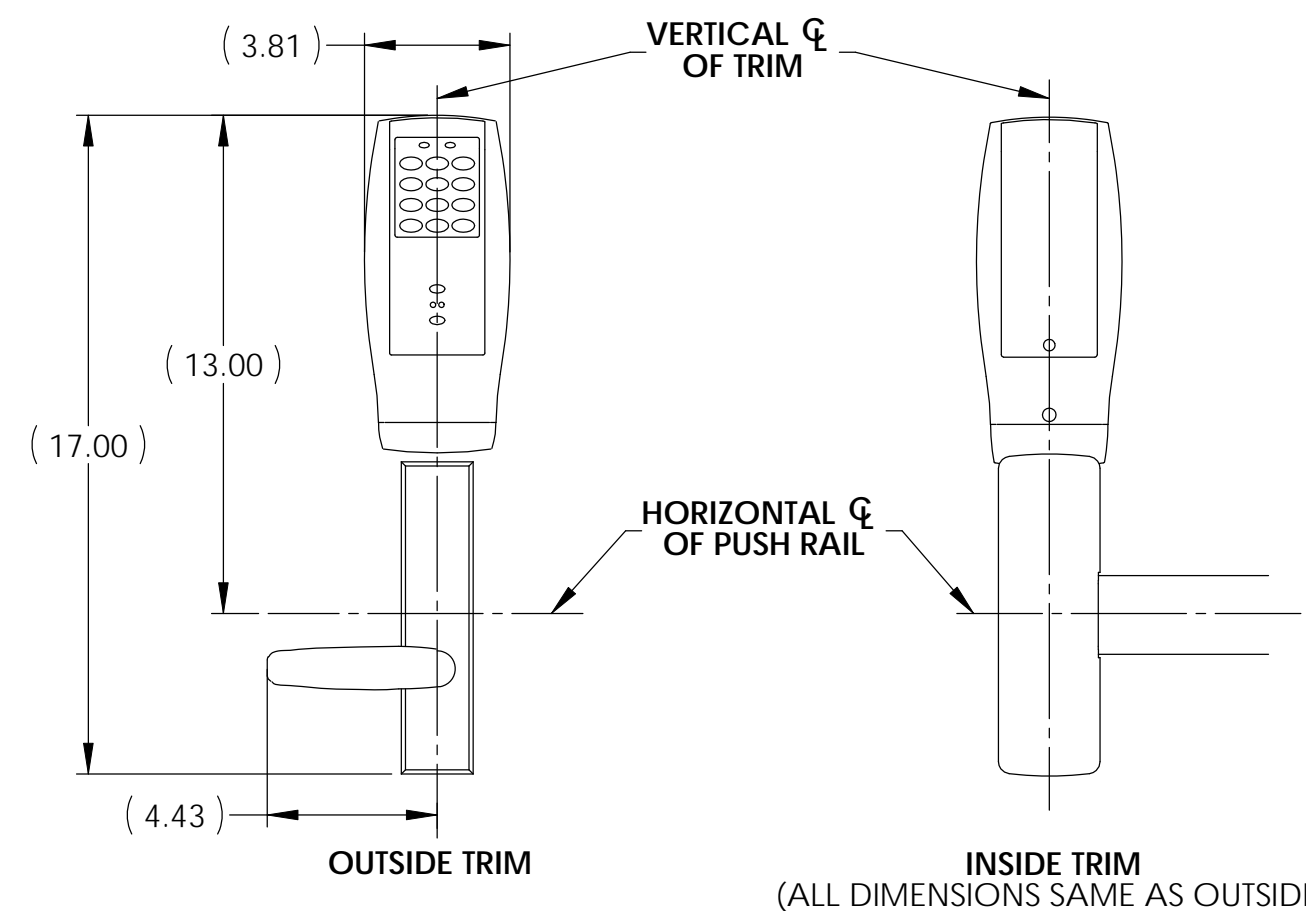
INSIDE OF DOOR



INSIDE RHRB DOOR

NOTES:

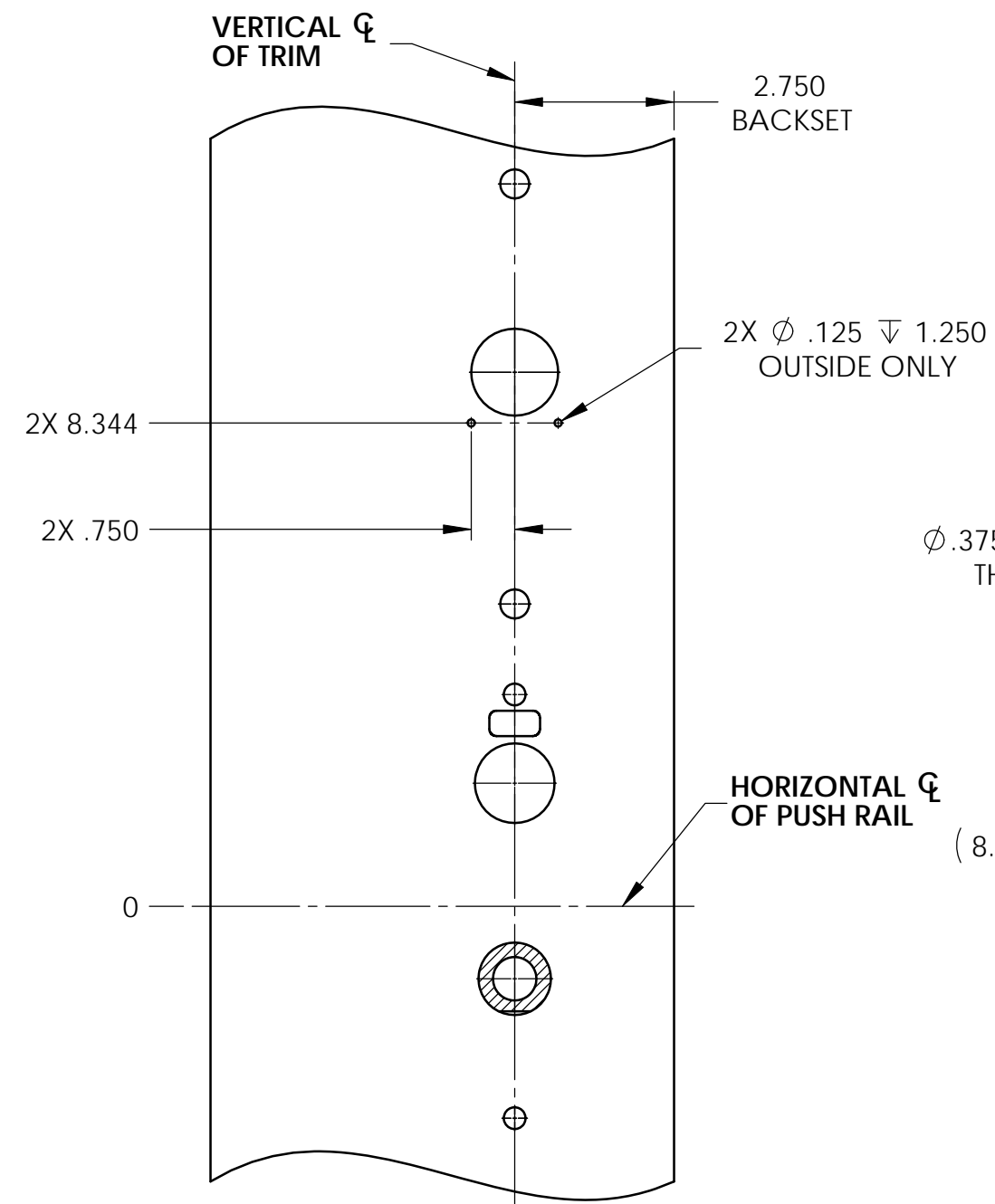
1. FEATURES FOR N1- (WIEGAND), S1- (POWER OVER ETHERNET), AND 91- (HARD WIRED) PREFIXES ONLY.
 - a. ϕ .375 RACE WAY FOR ELECTRO LYNX APPLICATIONS REFER TO MCKINNEY TRANSFER CATALOG.
 - b. DOOR MANUFACTURE TO PROVIDE CLEARANCE THRU REINFORCEMENT TO ALLOW INSERTION OF ELECTRICAL HINGE.
 - c. CONSULT WITH POWER TRANSFER MANUFACTURER FOR DEVICE CUTOUT.
2. FEATURES FOR S1- (POWER OVER ETHERNET), S2- (WiFi), AND N2- PREFIXES ONLY (DOOR POSITION SWITCH PREP).
3. PROVIDE AREA TO BE FREE OF OBSTRUCTION FOR WIRE HARNESS THRU DOOR.
4. SUITABLE REINFORCEMENT REQUIRED FOR METAL DOORS.
5. BEVEL REQUIRED (NOT SHOWN), PREP TO ANSI A115 SPECIFICATIONS.
6. FOR MORTISE LOCK BODY PREP REFERENCE DIMENSIONS REFER TO ANSI/BHMA SPECIFICATION A156.115.
7. TOLERANCE ALL DIMENSIONS \pm .015.
8. FOR WOOD DOOR PREP SEE SHEET 2.



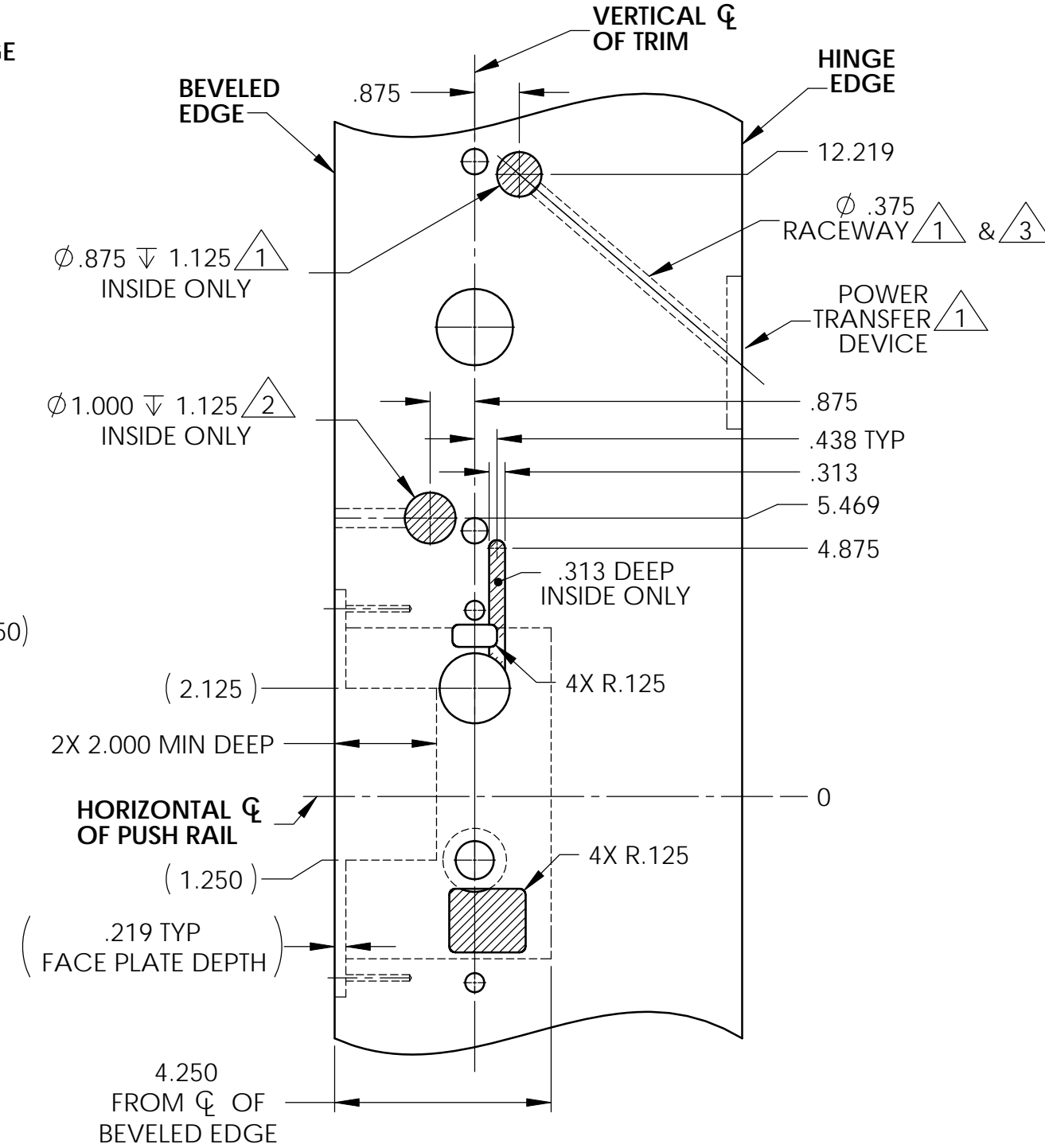
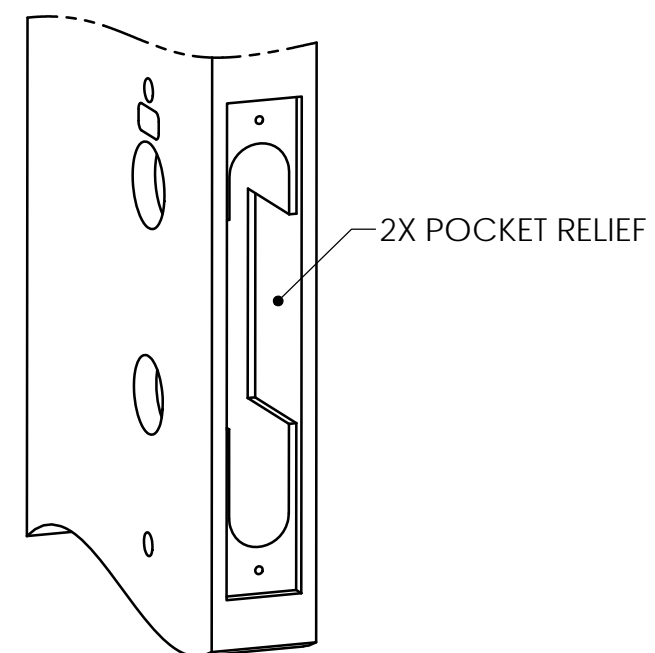
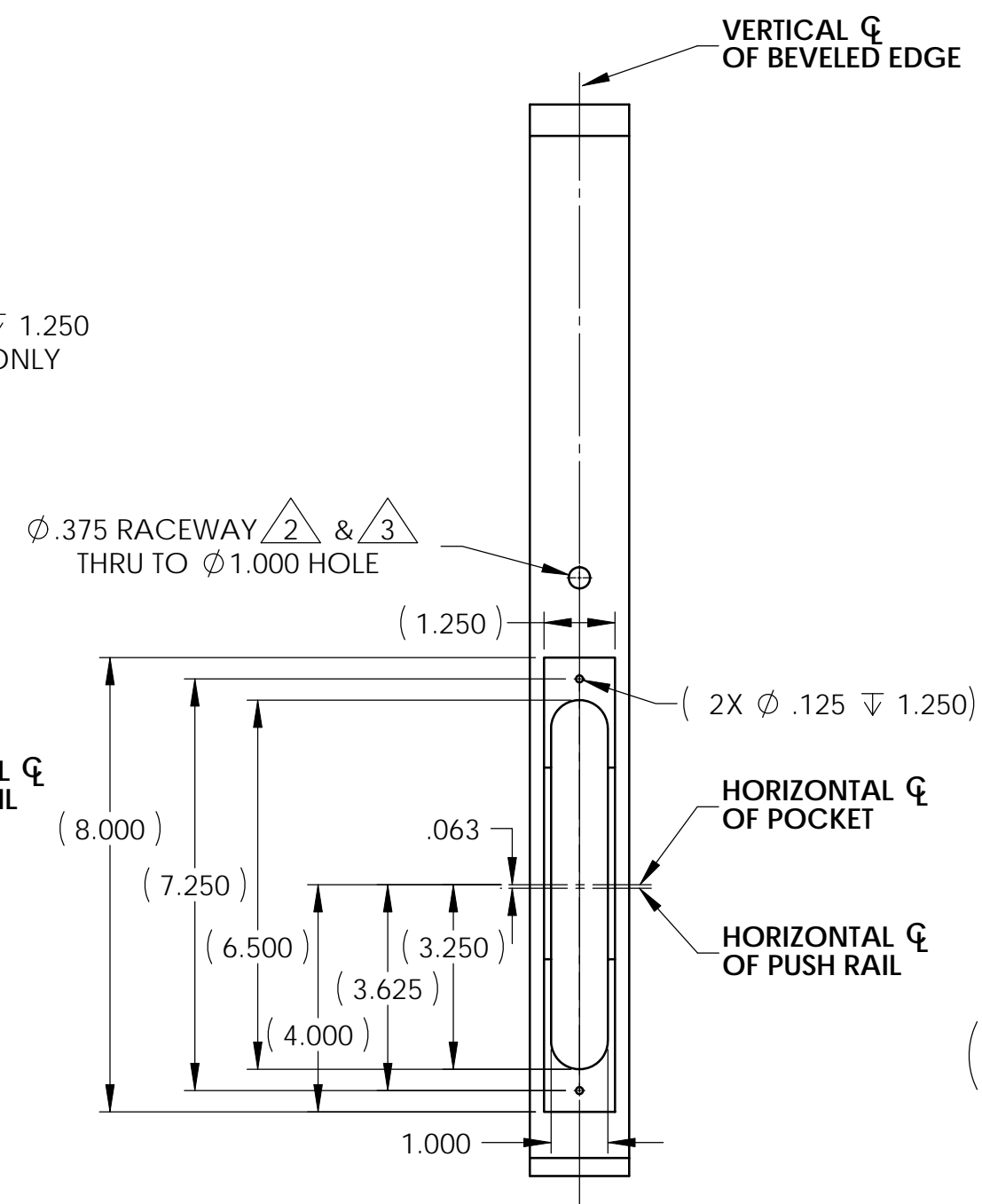
SARGENT	Sargent Manufacturing Company
ASSA ABLOY	100 Sargent Drive New Haven, CT 06511
DOOR MANUFACTURE TEMPLATE	RELEASE DATE
8900 MORTISE EXIT DEVICE	21-NOV-11
PROFILE SERIES	TEMPLATE NO.
METAL DOOR (SHEET 1 OF 2)	4641 G

WOOD DOOR

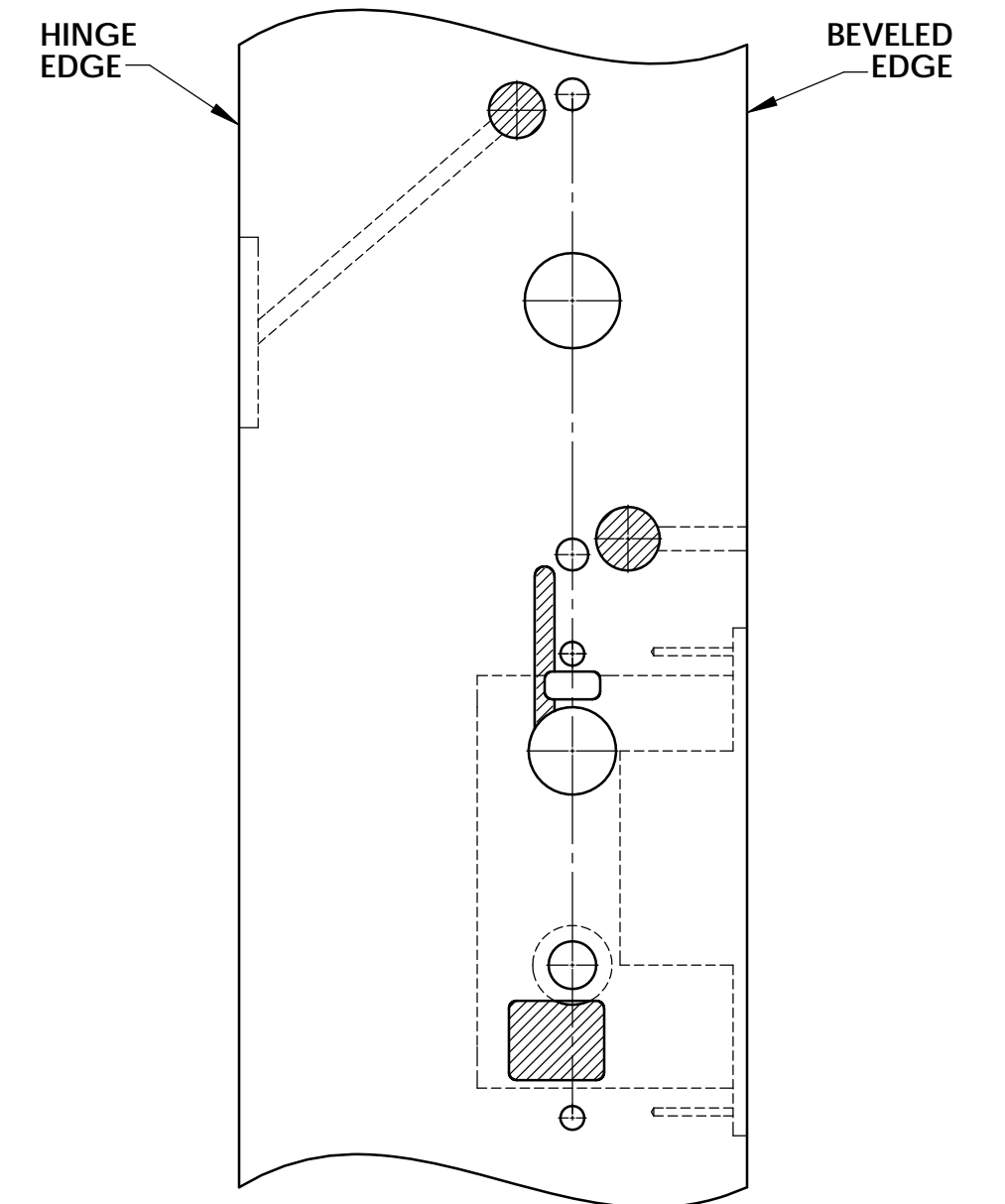
LHRB DOOR SHOWN



OUTSIDE OF DOOR



INSIDE OF DOOR



INSIDE RHRB DOOR

NOTES:

1. FOR BORED MORTISE BODY PREP REFERENCE DIMENSIONS REFER TO ANSI/BHMA SPECIFICATION A156.115W.
2. FOR ALL OTHER DIMENSIONS AND NOTES NOT SHOWN REFER TO SHEET 1.

SARGENT AUSA ABLITY	Sargent Manufacturing Company 100 Sargent Drive New Haven, CT 06511
DOOR MANUFACTURE TEMPLATE 8900 MORTISE EXIT DEVICE PROFILE SERIES WOOD DOOR (SHEET 2 OF 2)	RELEASE DATE 21-NOV-11 TEMPLATE NO. 4641 G