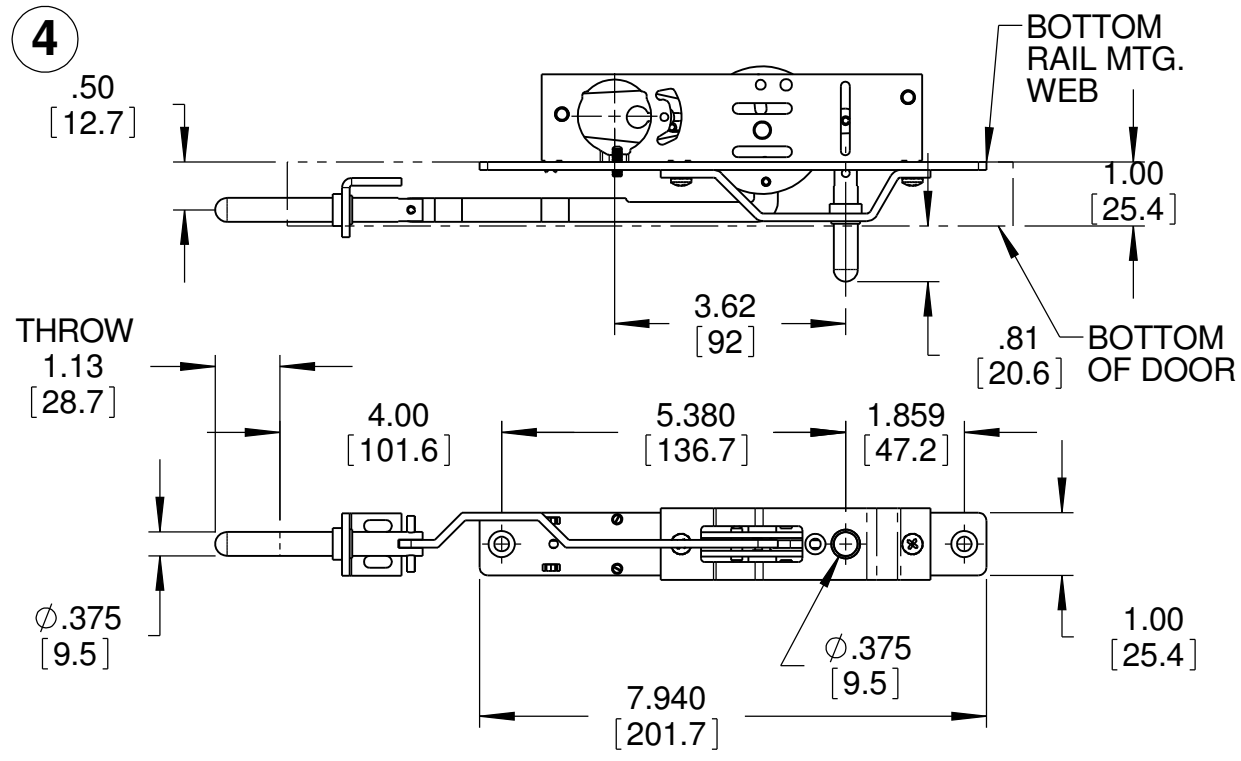
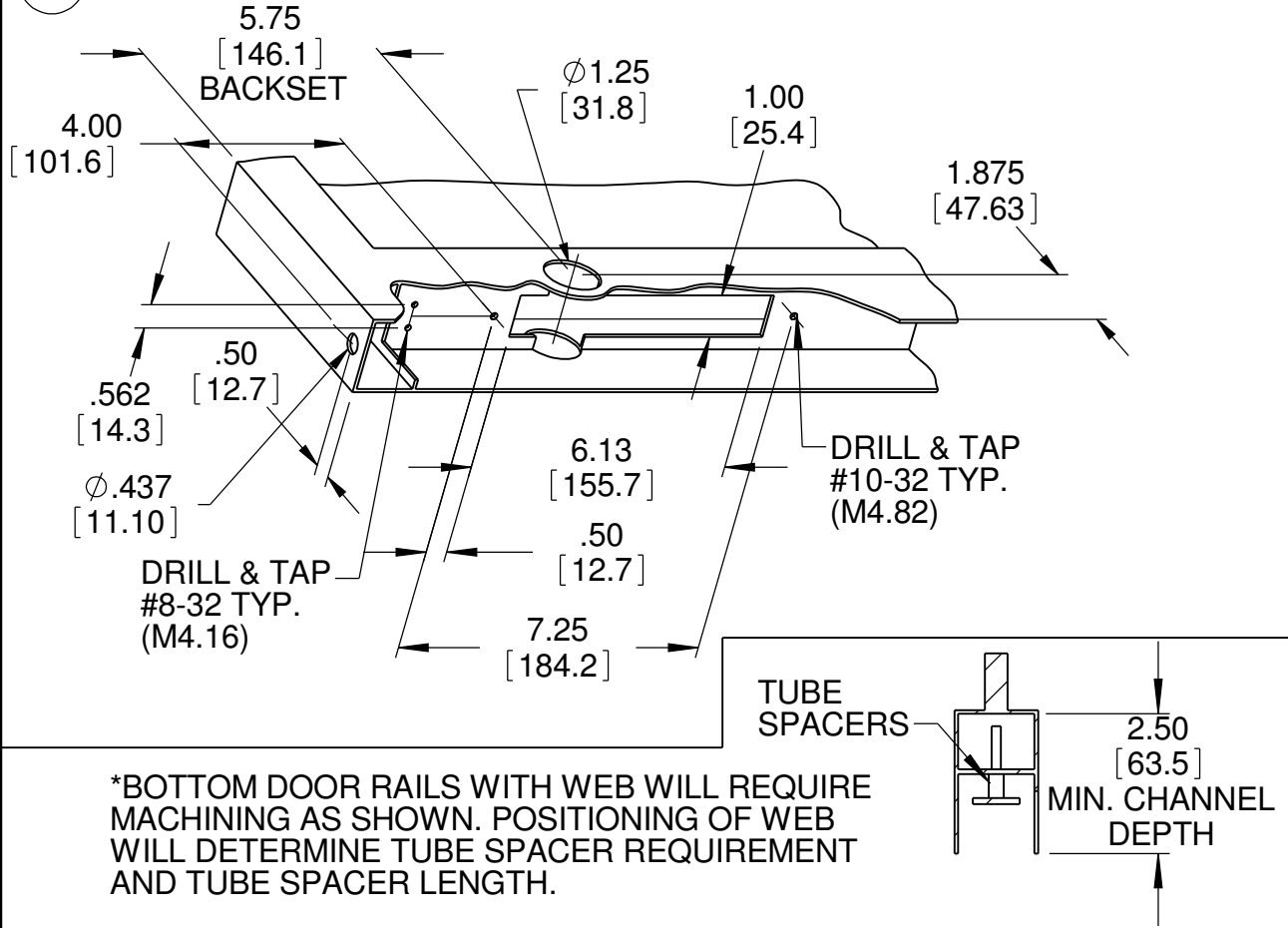
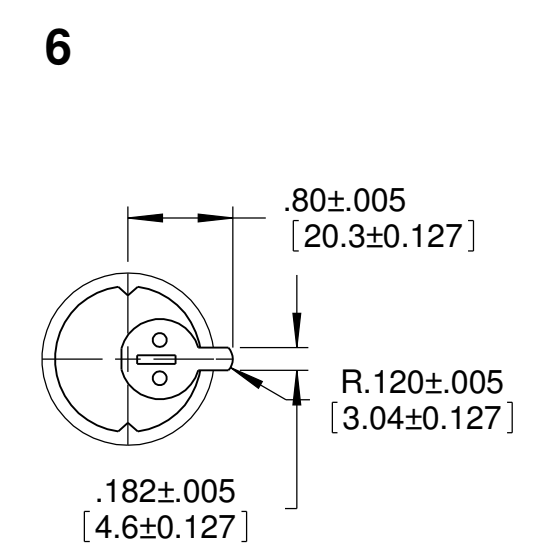


3 BOTTOM RAIL PREPARATION

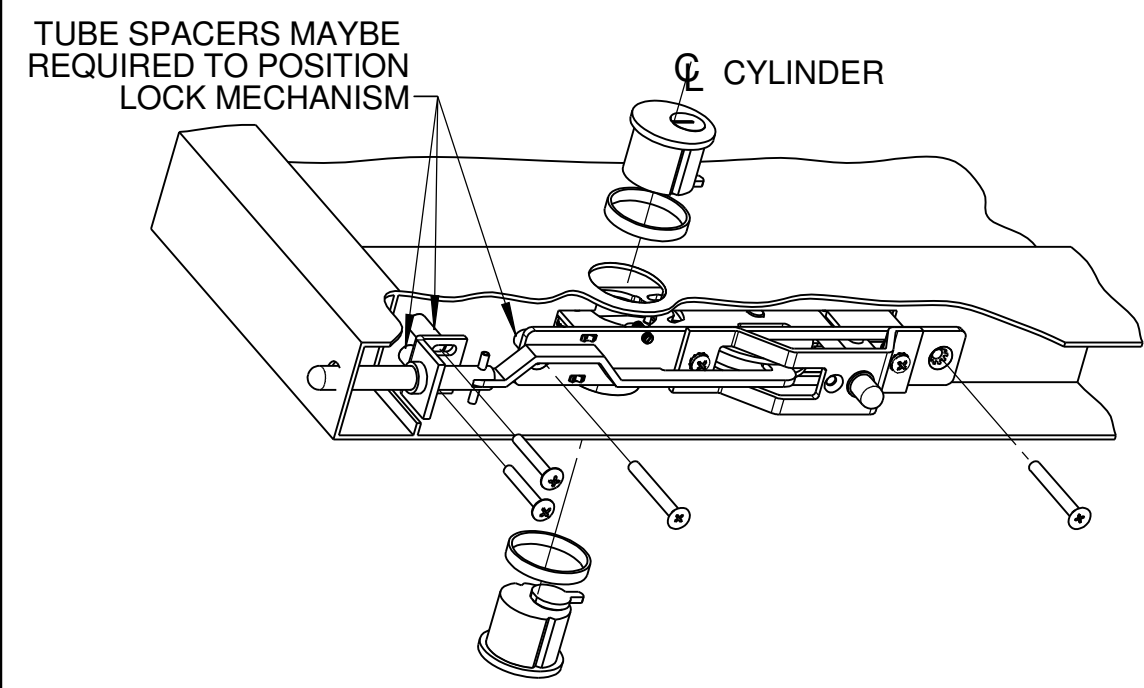


NOTE: UNIT ILLUSTRATED IS MS1861-02 (BOTH HORIZONTAL & VERTICAL BOLTS INCLUDED). CATALOG NUMBER FOR VERTICAL BOLT OPERATION ONLY IS MS1861-01. CONVERSION KIT NO. 4014 AVAILABLE TO CONVERT MS1861-01 TO MS1861-02. SEE SECTION 5 BELOW.



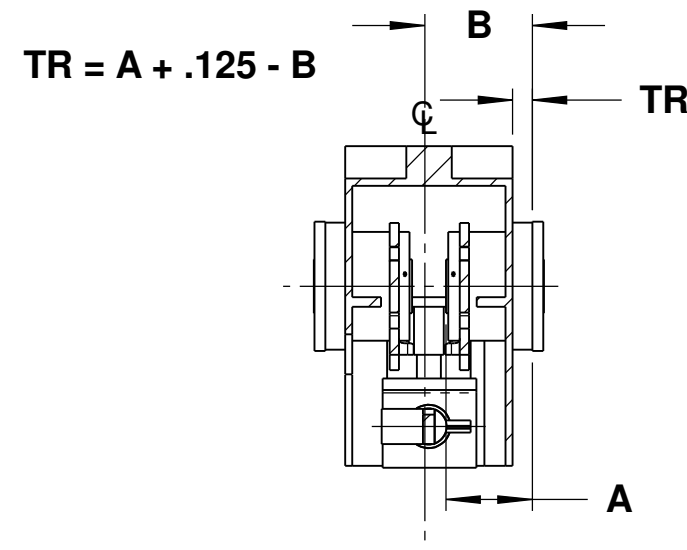
MS1861 SERIES LOCKS ARE OPERABLE BY ANY STANDARD 1 5/32" (29.3) DIAMETER MORTISE CYLINDER WITH SPECIAL MS CAM DIMENSIONED AS ABOVE. CYLINDERS WITH MS CAMS CAN BE READILY OBTAINED FROM MOST CYLINDER MANUFACTURERS.

1 MS1861-02 LOCK & CYLINDER INSTALLATION



2

TRIM RING THICKNESS (TR) WILL VARY WITH SPECIFIC CYLINDER MAKE, NUMBER, OF PINS, & BOTTOM RAIL THICKNESS. TO DETERMINE TRIM RING THICKNESS. USE THE FOLLOWING FORMULA.



5 4014 CONVERSION KIT CONSISTS OF:

- 1) ARM & BOLT ASSY.
- 2) ASSEMBLY PIN
- 3) BOLT GUIDE BRACKET
- 4) MOUNTING SCREWS

