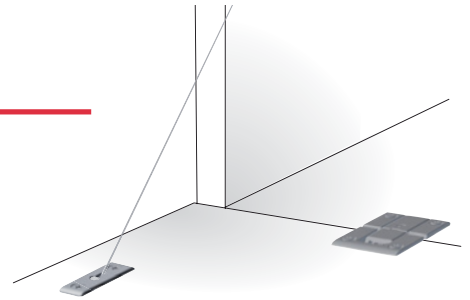
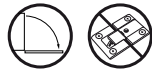
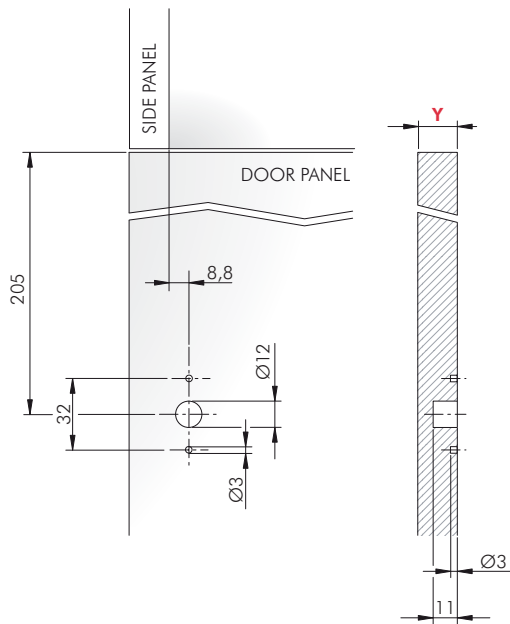


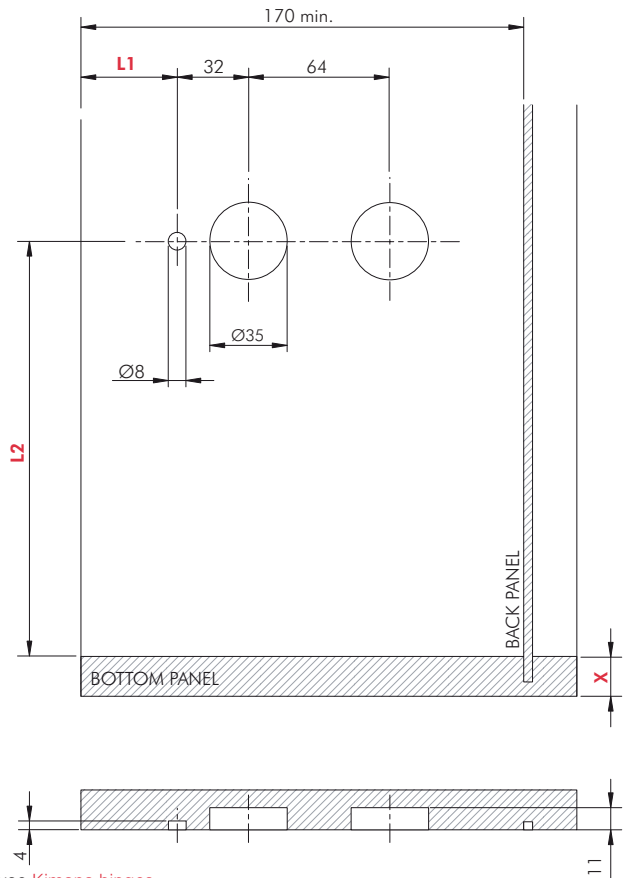
LINK WITH KIMANA HINGE



DOOR PANEL DRILLING PLAN



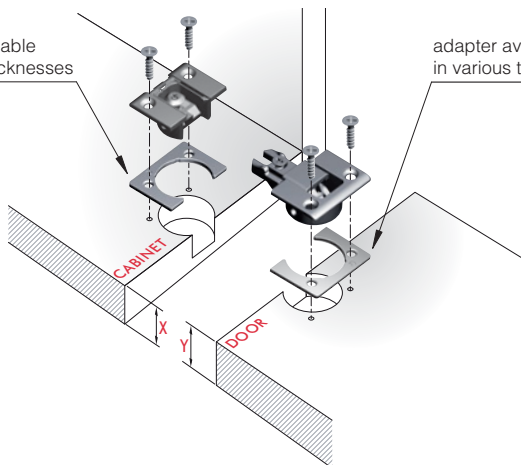
SIDE PANEL DRILLING PLAN



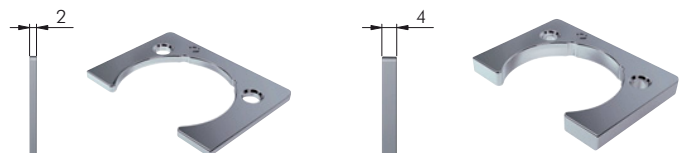
The dimensions of the above drilling plan refer to carcasses which use Kimana hinges.

adapter available in various thicknesses

adapter available in various thicknesses



X +	Y +	L1	L2
16 + 4	16 + 2	43	187,5
16 + 4	19	44	187,5
18 + 2	18	43	185
18 + 2	19	44	185
19	16 + 2	42	185
19	19	43	185
20	20	43	185



For Kimana and adapter details refer to section "HINGES".