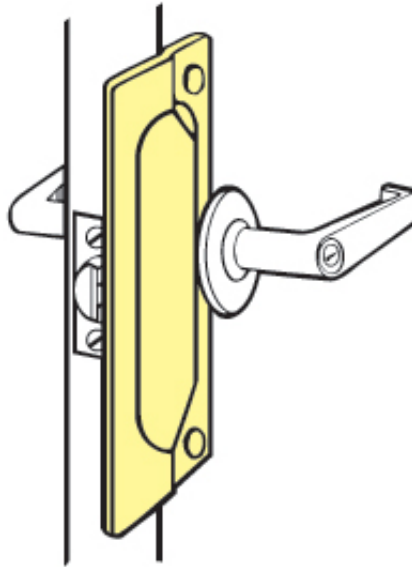




## Latch Protector LP 107



### Product Specifications

Number	LP 107
Dimensions	2-3/4" x 7"
Gauge	12 ga., .104
Material	Stainless Steel
Shelf pack	10
Features	Latch protector for out swinging doors. Furnished with carriage bolts, washers & acorn cap nuts
Finishes	630
Competitor part	8848, ELP-210

