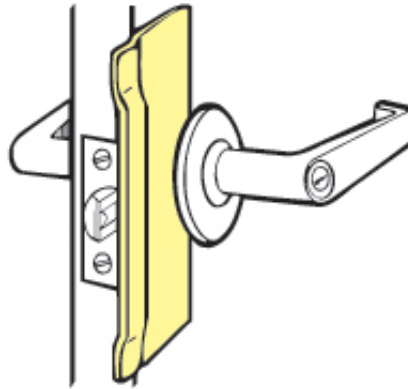




Latch Protector BLP 207



Product Specifications

Number	BLP 207
Dimensions	3-1/4" x 7"
Gauge	12 ga., .104
Material	Steel
Shelf pack	10
Features	Concealed welded studs with fasteners
Finishes	DU, PC, SL

P.O. Box 929 - Sterling, MA 01564-0929 - TEL: 978-422-3377 FAX: 978-422-3467
EMAIL: info@don-jo.com (<mailto:info@don-jo.com>) - <http://www.don-jo.com> (<http://www.don-jo.com>)

